

Smart Locks

The premium digital locking solution for flexibility and peace of mind.

Imagine the possibilities



At Yale, we offer Smart Home security solutions so that you can protect the people and things you love. With over 180 years of security expertise, we are committed to innovation and are constantly expanding our global product offerings.

The key to our success has been using the latest software and hardware advances along with a firm commitment to protecting data security and privacy for our customers.

Yale Home is a mobile app that lets you access and manage your Yale smart products from your mobile. The Yale Home App allows you to lock and unlock your door, share access with your family and friends, view access history, receive notifications on the lock's activity and check the lock's battery life.

The Yale Home App works alongside the Yale Connect Plus Hub 2 so that you can see your lock's status and remotely operate it from wherever you are in the world.



Yale Home



Grant entry from wherever you are

When your Yale Smart Lock is paired with Yale Connect Plus Hub 2, you can use remote access from anywhere in the world to let in family, friends or trusted visitors like the cleaner or dog walker. If someone forgets to lock up when they leave, you can easily take care of it with the tap of a finger.



Auto-lock and unlock as you come and go

The Yale Home App auto-lock feature can automatically lock your door when you leave, either immediately after closing or after a set amount of time. When you return, your door will auto-unlock using geofencing technology, so you don't need to fumble around for your keys.



Know the ins and outs of your home

The 24/7 activity feed will help you check who is coming and when - even when you're not there. You'll know when guests have arrived, what time your children got home, and whether a tradesperson or the cleaner was there to get a job done.



Expecting guests? Send a virtual key

From the Yale Home App, you can send virtual keys to friends, family or people you trust. Guests can come and go as they wish without you having to worry about lost keys.



Use your voice to control your lock

Yale Home works with Amazon Alexa, Apple HomeKit and Google Home. You can control your lock with your voice using Alexa, Siri or Google Assistant.

DualDoor™ Technology

Our locks are now even more connected and smarter than ever. With DualDoor™ Technology you can effortlessly operate both the Yale Unity Security Screen Door Lock with ANY Yale Smart Lock with a single command when paired with the Yale Connect Plus Hub 2.* Unlock both your security screen and entrance door lock with a single touch.

There's now no need to search for two keys to open two different locks.



*DualDoor Technology requires use of a Yale Connect Plus Hub 2.



Contents



Unity Security
Screen Door Lock

Page 3



Unity Entrance Lock

Page 7



Unity Series
Accessories - Keypad

Page 11



Luna Pro+

Page 14



Kyra Pro

Page 16



Unity Slim Smart Lock

Page 18



ByYou Pro

Page 21



Assure Lever

Page 23



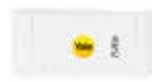
Assure Lock® SL

Page 25



Assure Lock® Keyed

Page 27



Home Module

Page 29



Yale Home

Home App

Page 31



Network Modules

Page 34



Yale Series
Accessories

Page 35



Yale Unity Entrance Series

Working every day since 1840, Yale continues to bring you seamless solutions for entering your home, without the hassle of searching for your keys. The Unity Entrance Series includes the Unity Entrance Lock and the Unity Security Screen Door Lock and is your answer to seamless home entry.

The Unity Entrance Series works with the Yale Home App, giving you total control over your lock via your smart device. You can grant access to others, keep track of visitor access and so much more.

You can also add accessories to the Unity Entrance Series, such as the Yale Smart Keypad* to enable PIN code access on your lock.

*Yale Unity Entrance Lock, Connect Plus Hub 2 and Smart Keypad sold separately.



Yale Home App

Yale Smart Locks are managed through the use of the Yale Home App - giving you total control over your lock via your mobile device.

Works with    

Download the free Yale Home App on iOS and Android.



Disclaimer: Other products' brand names may be trademarks or registered trademarks of their respective owners and are mentioned for reference purposes only. MCT1460

Yale Unity Security Screen Door Lock

The Unity Security Screen Door Lock provides seamless entry into your home. It can be paired with Yale Smart Locks so that once your screen door unlocks, so too will the the entrance lock*.



*Pair with your
Yale Smart Lock!*



DualDoor™ technology

Gain seamless entry when paired with your Yale Smart Lock and Yale Connect Plus Hub 2.* Once your security screen door unlocks, your front door will too.



Tailor user access

Use the Yale Home App, Contactless Key Tags or upgrade with the Yale Smart Keypad** to access your lock



Auto unlock/lock

Auto unlock your door as you walk up to it, without the need to take out your phone. The integrated door position sensor tells you if your door is open or closed.

* DualDoor™ Technology requires pairing the Unity Screen Door and your Yale Smart Lock with the Yale Connect Plus Hub 2.

**Yale Unity Entrance Lock, Connect Plus and Smart Keypad sold separately.

Unity Security Screen Door Lock



Gone are the days when you have to search around for your keys. Now you can control your front door and your security screen door with the Yale Home App, contactless key tag or Yale Smart Keypad*.

With Yale Home you can:

- Lock and unlock your door via your mobile device
- Grant access to others for one time access
- Grant access for a set period of time or a date range
- Keep track of visitor access

Think of the times when you walk up to your front door and have to search your bag or pockets for your house keys. Now imagine walking up to your front door and your lock unlocks the door as you approach!

Using multiple technologies including Bluetooth, Wi-Fi and GPS, as well as the Yale Home App, the auto unlock feature unlocks your door as you approach.

The Unity Security Screen Door Lock has patented digital deadlocking technology, locking both the internal and external handles of your lock when using your smart device or contactless key tag.

Need a premium security solution? An optional 3 point lock kit is available with your Unity Security Screen Door Lock. Activating these auxiliary locks is as simple as lifting the lever.

Lock alert indications show users the lock mode via an inbuilt LED. The lock has three modes: Unlock (green), Locked (yellow) and Secure (red). You can also press the internal electronic button to lock and unlock from the inside.

The inbuilt door position sensor checks the status of the door and tells you if your door is securely closed and locked. This avoids inadvertently locking your door while the door is open.

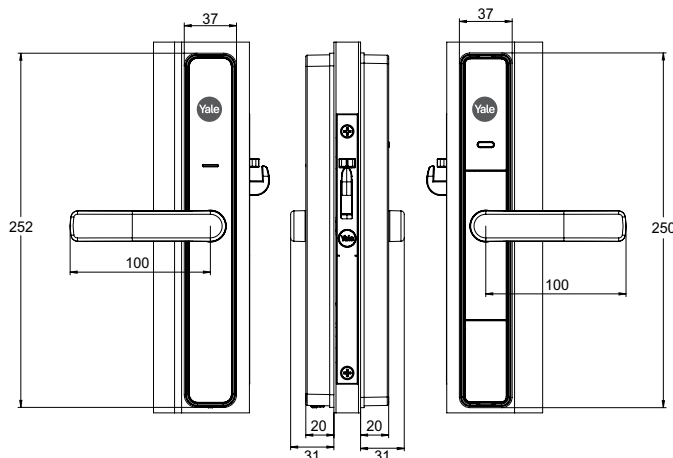
The Unity Security Screen Door Lock works with Amazon Alexa, Apple HomeKit and Google Home. You can control your lock with your voice using Alexa, Siri or Google Assistant.

The Unity Screen Door Lock meets Australian lock standards AS4145.2:2008, SL6 and D7.

Available in Silver and Matt Black finishes.

*Yale Connect Plus Hub 2 and Smart Keypad sold separately.

Unity Security Screen Door Lock



Features & Specifications

- Digital deadlocking
- Certified to SL6 (Security) and D7 (Durability) Australian Lock Standard (AS4145.2.2008)
- Fits industry-standard doors
- Total Control via Yale Home App
- Auto Unlock
- Tailor user access
- Lock alert
- 24/7 Lock Activity Trails
- Door position sensor
- 100% keyfree
- Support for 3 point locking including lift to engage

Finishes



Yale Home

Technical Specifications

Australian Standard	AS4145.2.2008 SL6 Security D7 Durability
Compliance	Regulatory Compliance Mark (RCM) for Australia and New Zealand
Locking Type	Single point Zinc diecast screen door mortice and locking furniture. Self latching with stainless steel hook deadbolt for improved security performance. Additional 3 point locking kit with hook bolts* actuators for premium security.
Door Thickness	18-25mm
Door Preparation	Fits industry standard cut outs/door preparation
Retrofits	Retrofits Lockwood 8654, Whitco Tasman Mk2 & Yale Quattro Screen Door Locks
Handing	Suits left or right hand opening doors
Finish	Silver/matt Black powdercoat with black nylon with Stainless steel front end plates
RFID	2 x Contactless Key Tags
IP Rating	IP55
Operating Temperature	-25-70°C
Humidity	0-90%
Power	4 x AA Alkaline batteries
Battery Life on lock	Approximately 12 months
Low Battery Warning	20%
Volume Settings	Mute, Low, High
Use	Security Screen Doors, not for use where internal escutcheon is directly exposed to outside elements e.g. an outdoor gate.

* Projection bolt 3 point locking kit is not suitable with Yale Smart Screen door lock. Please ensure you have 8654 Hook Bolt 3 point locking kit available.

For customers who plan to retrofit using the projection bolt, some modification to the door frame and strike may be required when you install the 8654 Hook Bolt 3 point locking kit.

Unity Security Screen Door Lock

Display Packs

Description	Part Number
Yale Unity Security Screen Door Lock	Silver: YUR/SSDL/1/SIL Matt Black: YUR/SSDL/1/MBK

Trade Packs

Description	Part Number
Yale Unity Security Screen Door Lock with Connect Plus Hub 2	Silver: YUR/SSDL/HUB2/SIL Matt Black: YUR/SSDL/HUB2/MBK
Yale Unity Security Screen Door Lock with Smart Keypad Silver	YUR/SSDL/KP/SIL
Yale Unity Security Screen Door Lock with Connect Plus Hub 2 and Smart Keypad	Silver: YUR/SSDL/KIT2/SIL Matt Black: YUR/SSDL/KIT2/MBK

Spare Parts

Description	Part Number
2 x Yale Contactless Key Tags	YDKEYTAG
Standard 3 point kit	8654-3PK
High security 3 point kit	8654-3PK/HS
Short rod 3 point kit	8654-3PK/SR
Retro fit rod 3 point kit	8654-3PK/RF
Strike centre lock (standard)	SP8654-20
Strike centre lock (extra width)	SP8654-21
Strike centre lock (12mm step over)	SP8654-22
Strike aux lock (standard)	SP8654-23
Strike aux lock (12mm step over)	SP8654-24
8654 Strike french door	SP8654-25
8654/MK3 Tasman retrofit strike	SP8654-26
8654 Strike packer 1.5mm - main lock PK = 50	SP8654-27
8654 Actuator bar spacer PK = 50	SP8654-28
8654 Narrow plate main lock strike french/double doors	SP8654-29
8654 Narrow plate auxiliary lock strike french/double doors	SP8654-30
8654 Strike centre lock - extra width - 75mm	SP8654-32
8654 Strike centre lock - extra - 95mm	SP8654-33
8654 Narrow plate main strike packer 3mm	SP8654-34
8654 Narrow plate aux strike packer 3mm	SP8654-35
8654 Strike centre lock - bump strike	SP8654-36
8654 Strike centre lock - broad retrofit strike	SP8654-37
8654 Standard 3PT actuator bar-black PK=100	SP8654-55
8654 Auxiliary lock strike pocket template - SS	SP8654-AUX-STP
8654 Main lock strike pocket template - SS	SP8654-MAIN-STP

Unity Entrance Lock



Designed specifically for the Australian market, the Unity Entrance Lock has patented digital deadlocking technology allowing you to lock both the internal and external handles on your door.

The Unity Entrance Lock has three modes: Unlock (green), Locked (yellow) and Secure (red) - all indicated by an inbuilt LED light.

Controllable by either your Yale Home App, Contactless Key Tag or the Yale Smart Keypad*, the Unity Entrance Lock provides you with a range of options to control your lock.

The Yale Home App allows you to lock and unlock your door, grant access to others and keep track of visitor access, all via your smartphone. Grant users one-time access, access for a set period of time or a date range and avoid any lost, stolen or copied keys.

Using Bluetooth, Wi-Fi, GPS and the Yale Home App, the auto unlock feature unlocks your door as you approach it.

The Yale Unity Nexion Retrofit Kit* offers customers the option to upgrade the Lockwood Nexion Mechanical and Nexion Keyless Entrance Locksets to a Yale Unity Entrance Lock. This includes a latch and 3 sizes of strike plates to cover 35-45mm thick jamb. With their metallic finish, the latch and strike plates ensure a clean, high-quality appearance. The latch and strike plates are also designed to accommodate Yale Unity's door position sensor.

This door position sensor checks the status of the door and tells you if your door is open or closed, giving you the peace of mind that your door is secure when locking up.

The Unity Entrance Lock can be upgraded using the Yale Connect Plus Hub 2*. This allows you to access your lock from wherever you are in the world. Remote features include the ability to lock, unlock, manage user access and update lock settings.

The Yale Connect Plus Hub 2 enables integration with your Google, Samsung or Alexa smart home hubs. The Unity Entrance Lock is also Apple HomeKit compatible (see Lock Compatibility Table on p.29 for details).

With the Yale Smart Keypad*, you can lock and unlock your door via PIN codes.

The durable metal Yale Unity Installation Template* is tradesperson friendly - particularly where multiple or ongoing installations are required.

The Unity Lock meets Australian lock standards AS4145.2:2008, SL8 and D8.

Available in Silver and Matt Black finishes.

***Yale Connect Plus Hub 2, Yale Smart Keypad, Yale Unity Nexion Retrofit Kit and Yale Unity Installation Template sold separately.**

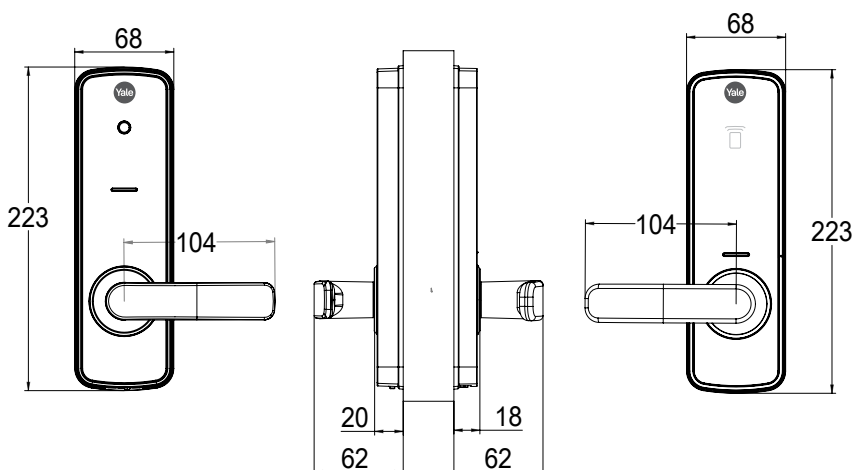
NOTE: Yale Unity Nexion Retrofit Kit not suitable for use on fire door applications.

Unity Entrance Lock



Exterior

Interior



Features & Specifications

- Digital deadlocking
- Certified to SL8 (Security) & to D8 (Durability) Australian Lock Standard (AS4145.2:2008)
- Certified to BAL-40 Bushfire Level (AS1530.8.1-2007)
- Fits standard doors 35mm- 60mm thick
- 60-70mm backset latch compatible
- Total control via App
- Auto unlock
- Tailor user access
- Lock alert
- 24/7 Lock Activity trails
- Door Position Sensor
- 100% keyfree

Finishes



Display Pack

Description	Part Number
Yale Unity Entrance Lock	Silver: YUR/DEL/1/SIL Matt Black: YUR/DEL/1/MBK

Trade Packs

Yale Unity Entrance Lock with Connect Plus Hub 2	Silver: YUR/DEL/HUB2/SIL Matt Black: YUR/DEL/HUB2/MBK
Yale Unity Entrance Lock Silver with Smart Keypad	YUR/DEL/KP/SIL
Yale Contactless Key Tag	YDKEYTAG
Yale Unity Installation Template	YUR/TEMPLATE
Yale Unity Nexion Retrofit Kit	YUR/NX/KIT
Yale 530 Series Tubular Deadlatch 70mm Backset Satin Chrome	Y530-222SC

Technical Specifications

Australian Standard	AS4145.2:2008, SL8 Security, D8 Durability, AS1530.8.1-2007 and BAL-40 Bush Fire Level
Compliance	Regulatory Compliance Mark (RCM) for Australia and New Zealand
Lock Type	530 Latch
Door Thickness	35-60mm
Backset	60-70mm backset (70mm latch sold separately – Y530-222SC)
Finish	Silver/Matt Black powdercoat with black nylon
RFID	2 x Contactless Key Tags
Power	4 x AA Alkaline batteries
Battery Life on lock	approximately 12 months
Low Battery Warning	20%
Volume Settings	Off, Low, High
Operating Temperature	-25-70°C
Humidity	0-95%
IP Rating	IP54
Use	Entry doors. Not for use on doors where the internal escutcheon is exposed to outside elements. Eg: Outdoor gate

Unity Entrance Lock Fire Rated

Features and Specifications

- Successfully tested for 2 hours on fire door assemblies in accordance with Australian Standard AS1905.1-2015 fire-resistant door sets
- Secure Mode disabled for fire door applications
- Ready to install out of the box. No need to install an additional fire kit to the door or make any adjustments to the Unity Entrance Lock door preparation



Yale Home



Trade Packs

Description	Part Number
Yale Unity Entrance Lock Fire Rated Silver	YUR/DEL/FR/SIL
Yale Unity Entrance Lock Fire Rated Silver + Connect Plus Hub 2	YUR/DEL/FR/HUB2/SIL
Yale Unity Entrance Lock Fire Rated Silver with Smart Keypad	YUR/DEL/FR/KP/SIL
Yale Unity Entrance Lock Fire Rated Silver + Connect Plus Hub 2 + Smart Keypad	YUR/DEL/FR/KIT2/SIL
Yale Contactless Key Tag	YDKEYTAG
Yale 530 Series Tubular Deadlatch 70mm Backset Satin Chrome	Y530-222SC

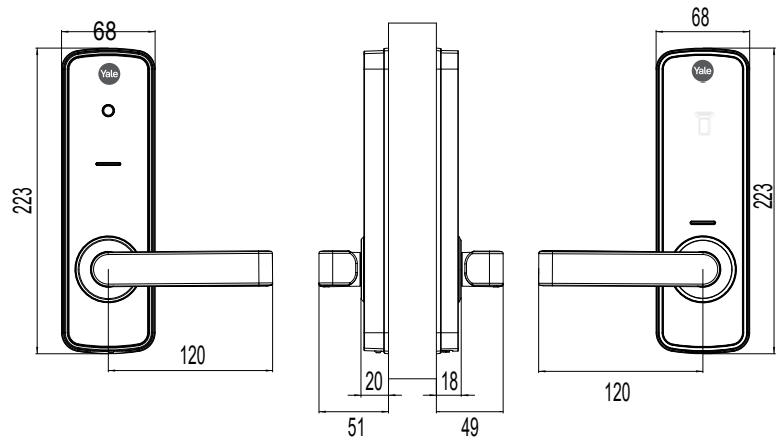
NOTE: The Yale Unity Installation template and Yale Unity door sensor and magnet are also compatible with Unity Entrance Lock Fire Rated.

Technical Specifications

Australian Standard	AS4145.2.2008, SL8 Security, D8 Durability, AS1530.8.1 2018, BAL-40 Bush Fire Level, AS1905.1.2015, Fire Resistant Door sets
---------------------	--

Unity Entrance Lock Fire Rated

with AS1428.1 compliant lever



Features & Specifications

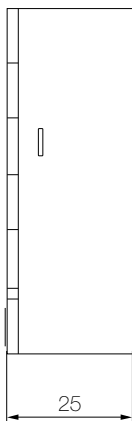
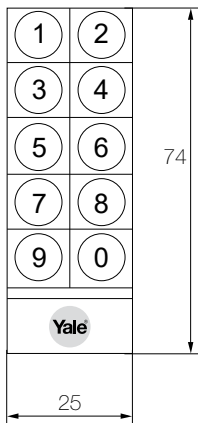
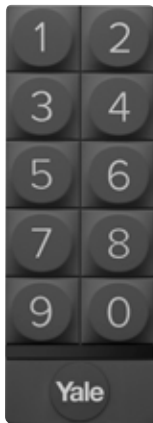
- Lever is DDA-compliant certified and design is in accordance with AS1428.1-2009
- Successfully tested for 2 hours on fire door assemblies in accordance with Australian Standard AS1905.1-2015 fire-resistant door sets
- Secure Mode disabled for fire door applications
- Ready to install out of the box. No need to install an additional fire kit to the door or make any adjustments to the Unity Entrance Lock door preparation

Description	Part Number
Yale Unity Entrance Lock Fire Rated Silver with DDA Lever	YUR/DEL/FR/DDA/SIL

Technical Specifications	
Australian Standard	AS1428.1-2009, Design for Access and Mobility, AS4145.2.2008, SL8 Security, D8 Durability, AS1530.8.1 2018, BAL-40 Bush Fire Level, AS1905.1.2015, Fire Resistant Door sets



Unity Series Accessory - Smart Keypad



Features and Specifications

- Compatible with Yale Unity Series
- Connects to your Yale Home app to tell you who comes and goes
- 220 PIN codes
- One-touch locking
- Hassle-free installation. No hard-wiring

Description	Part Number
-------------	-------------

Yale Smart Keypad	05/301000/BL
-------------------	--------------

NOTE: Compatible with Yale Unity Series

Technical Specifications	
--------------------------	--

Compliance	Regulatory Compliance Mark (RCM) for Australia and New Zealand
------------	--

Communication	Bluetooth V4.2
---------------	----------------

Dimensions	74h x 25w x 25d mm
------------	--------------------

Power	2 x AAA alkaline batteries
-------	----------------------------

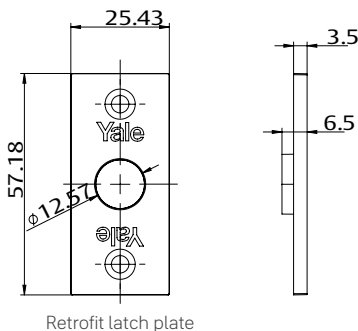
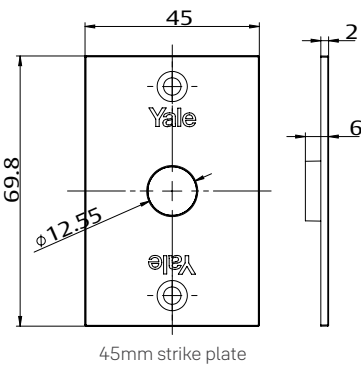
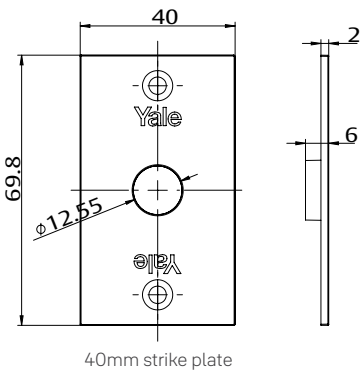
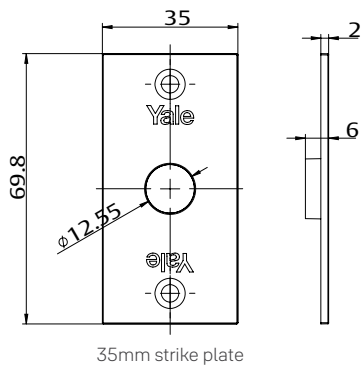
Battery Life	Approximately 3 months
--------------	------------------------

Operating Temperature	-17-50°C
-----------------------	----------

Operating Humidity	0-90%
--------------------	-------

Number of key codes	220 PIN codes
---------------------	---------------

Unity Series Accessory - Yale Unity Nexion Retrofit Kit



The Yale Unity Nexion Retrofit Kit* has been designed to offer you the option to upgrade the Lockwood Nexion Mechanical and Nexion Keyless Entrance Locksets to a Yale Unity Entrance Lock.

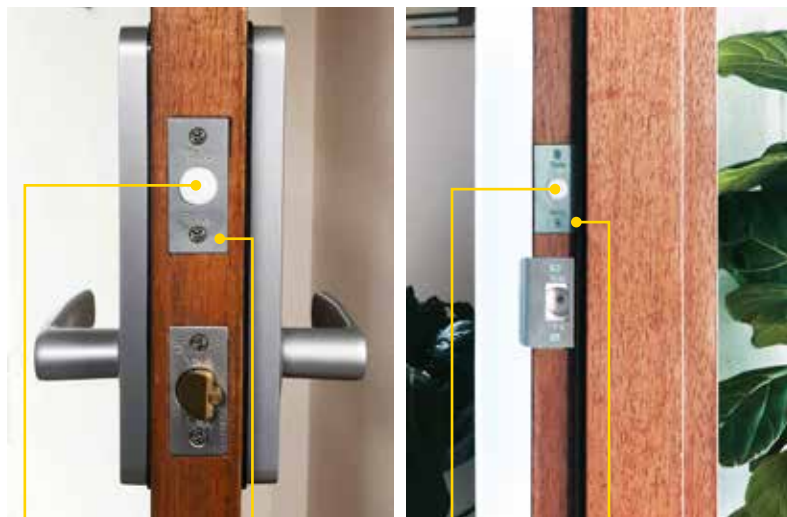
The Kit includes:

- Retrofit latch plate
- Retrofit strike plates (3 sizes, covering 35-45mm thick jambs)
- Latch and strike plate screw set

With their metallic finish, the latch and strike plates ensure a clean and quality appearance when the Nexion is replaced with the new Yale Unity Entrance Lock. The latch and strike plates are designed to support the door position sensor and magnet. The three different strike plate sizes included in the Retrofit Kit provide the option to cater to multiple types of jamb thickness (35-45mm).

*Retrofit Kit not suitable for use on fire door applications.

Description	Part Number
Yale Unity Nexion Retrofit Kit	YUR/NX/KIT



Door position sensor

Retrofit latch plate

Door position magnet

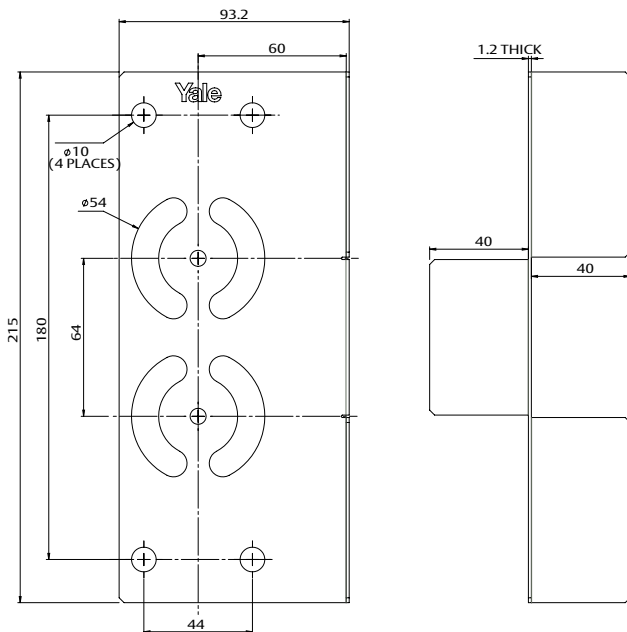
Retrofit strike plate

Unity Series Accessory - Unity Entrance Lock Installation Template



This durable metal template is tradesman friendly, particularly useful where multiple or ongoing installations are required.

Description	Part Number
Yale Unity Installation Template	YUR/TEMPLATE



Luna Pro+



Family always comes first. That's why we created Yale Luna Pro+, the smart lock that puts security and convenience at the heart of your home.

With advanced face recognition powered by Yale FaceScan technology, Luna Pro+ uses 3D structured light for precise, secure, and touch-free access. Just look, unlock, and step inside—no keys, no fuss.

Designed for everyday safety, its off-centred handle helps reduce the risk of pinched fingers, while the fully automatic lock case ensures smooth, quiet locking and unlocking. The sleek, modern design adds a sophisticated touch to your home.

Unlock your way with Luna Pro+. Use face recognition, fingerprint scan, a personalised PIN code, an RFID card, or the Yale Home App—security made simple.

Upgrade to Luna Pro+ and experience security, redefined.

Works with your Smart Home

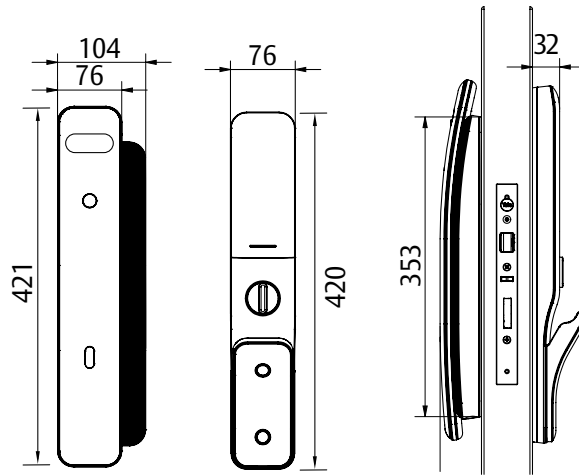
The Yale YDM Home Module (included) allows users to utilise the functions and features of the Yale Home App.

With Yale Home you can:

- Lock and unlock your door via your mobile device
- Grant access to others for one time access
- Grant access for a set period of time or a date range
- Keep track of visitor access
- Check the door status from your mobile device
- The Yale Connect Plus Hub 2 is required to enable the Works with Amazon Alexa and Google Home functionality, allowing you to control your lock with voice commands. Upgrade your Luna Pro+ with the Yale Connect Plus Hub 2 (Item code: YAR/SWAA/HUB/-I-D, sold separately) to access your lock remotely, enjoy the full benefits through the Yale Home App, and seamlessly integrate voice commands with Alexa, Siri and Google Assistant.



Luna Pro+



Features & Specifications

- Create up to 100 Unique PIN codes
- Create up to 100 facial recognition credentials
- Create up to 50 fingerprints
- Control through one APP with the YDM series Yale Home module (included)
- Fake PIN code
- Suitable for timber doors 35mm to 100mm thick
- Mechanical key override
- 60mm backset mortice lock
- Lithium ion battery
- Available in Nova Graphite and Champagne Gold finishes
- Type-C emergency power back up
- Home automation integration capabilities with Yale Connect Plus Hub 2*

*Yale Connect Plus Hub 2 is required and sold separately.

*IP52 rating: Protects against limited dust ingress and vertically dripping water when tilted up to 15 degrees.

Precautions:

- Do not install in areas directly exposed to heavy rain or water jets.
- Avoid extreme temperature fluctuations or prolonged exposure to high humidity, as IP52 doesn't guarantee full waterproofing.

Description	Part Number
Yale Luna Pro+ 60mm Backset Nova Graphite with Yale Home Module	YLN/60/HK/NG
Yale Luna Pro+ 60mm Backset Champagne Gold with Yale Home Module	YLN/60/HK/CG
Yale Connect Plus Hub 2	YAR/SWAA/HUB/-I-D

Technical Specifications	
Compliance	Regulatory Compliance Mark (RCM & R-NZ) for Australia and New Zealand
Lock Type	Mortice lock
Door Thickness	35-100mm Timber door
Backset	60mm
Finish	Nova Graphite, Champagne Gold
RFID	2 x Contactless Key Tags Included
Fingerprint	Yes, up to 50 registrations
Power	Lithium ion battery
Battery Life on lock	Approximately 9-12 months depending on daily usage
Low Battery Warning	Yes
Volume Settings	Yes
Operating Temperature	-25-70°C
Humidity	0-95%
IP Rating	IP52*
Use	Entry doors. Not for use on doors where the internal escutcheon is exposed to outside elements. Eg: Outdoor gate
Break in/ tamper alarm	Yes

Kyra Pro



Yale Kyra Pro is designed to blend seamlessly into your home while making security effortless. With its sleek, modern design and premium materials, it's as durable as it is stylish—so you can count on it for years to come.

Its fully automatic lock case ensures smooth, fast, and hands-free locking and unlocking. No fuss, no delays—just effortless access when you need it.

Unlock your way with Yale Kyra Pro. Use your fingerprint, a personalised PIN code, an RFID key tag, or the Yale Home App for effortless, secure access—your way.

Works with your Smart Home

The Yale YDM Home Module (included) allows users to utilise the functions and features of the Yale Home App.

Simply Install the YDM Home module into the back of an Kyra Pro and download Yale Home App.

With Yale Home you can:

- Lock and unlock your door via your mobile device
- Grant access to others for one time access
- Grant access for a set period of time or a date range
- Keep track of visitor access
- Check the door status from your mobile device
- The Yale Connect Hub 2 is required to enable the Works with Amazon Alexa and Google Home functionality, allowing you to control your lock with voice commands. Upgrade your Kyra Pro with the Yale Connect Plus Hub 2* (Item code: YAR/SWAA/HUB/-I-D, sold separately) to access your lock remotely, enjoy the full benefits through the Yale Home App, and seamlessly integrate voice commands with Alexa, Siri and Google Assistant.

*Yale Connect Plus Hub 2 is required and sold separately.



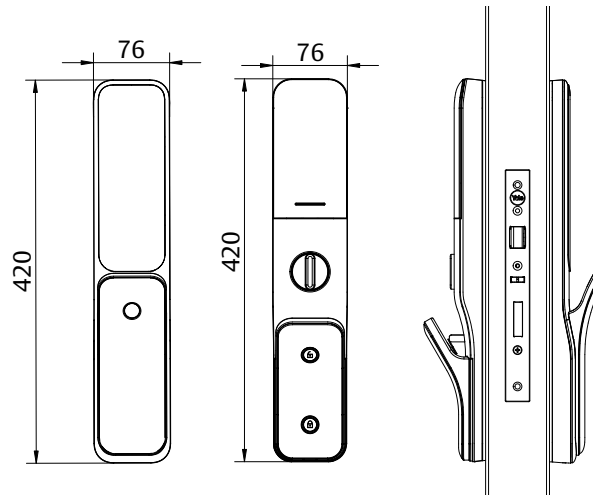
Kyra Pro



Interior



Exterior



Features & Specifications

- Create up to 100 Unique PIN codes
- Control through one APP with the YDM series YDM module (included)
- Register up to 100 Key tags
- Mechanical key override
- Suitable for timber doors 35mm to 110mm thick
- 60mm backset mortice lock
- Automatic Locking
- 6x AA Alkaline Batteries
- Home automation integration capabilities with Yale Connect Plus Hub 2*
- Available in Matt Black finish
- Type-C emergency power back up

Description	Part Number
Yale Kyra Pro 60mm Backset Matt Black with Yale Home Module	YKR/60/HK/MBK
Yale Connect Plus Hub 2	YAR/SWAA/HUB/-I-D

Technical Specifications	
Compliance	Regulatory Compliance Mark (RCM & R-NZ) for Australia and New Zealand
Lock Type	Mortice lock
Door Thickness	35-110mm Timber door
Backset	60mm
Finish	Matt Black
RFID	2x Contactless Key Tags Included
Power	6x AA Alkaline batteries
Battery Life on lock	9-12 months depending on daily usage
Low Battery Warning	Yes
Volume Settings	Yes
Operating Temperature	-25-70°C
Humidity	0-95%
IP Rating	IP52*
Use	Entry doors. Not for use on doors where the internal escutcheon is exposed to outside elements. Eg: Outdoor gate
Break in/ tamper alarm	Yes

*IP52 rating: Protects against limited dust ingress and vertically dripping water when tilted up to 15 degrees.

Precautions:

- Do not install in areas directly exposed to heavy rain or water jets.
- Avoid extreme temperature fluctuations or prolonged exposure to high humidity, as IP52 doesn't guarantee full waterproofing.

Unity Slim Smart Lock



The Yale Unity Slim Smart Lock is a keyless, secure, and user-friendly smart lock, with a narrow escutcheon design and multiple backsets mortice lock, to suit aluminium framed doors. This makes it ideal for use on most hinged doors, and with the trend towards Aluminium front doors too, this lock is perfectly suited to your main entry. As with other locks in the range, the Unity Slim can pair to the Unity Screen Door Lock with DualDoor™ Technology, offering the only solution in the Australian market for integrated door and screen door smart locking, and this now rounds out a complete offering for all your hinged door types*.

It is built to withstand Australia's harsh weather conditions, featuring a powder coated diecast body and handle along with a UV-protected screen. The lock is supported by the Induro® 4-Point lift-to-lock system with four points of locking, including the latch, deadbolt, and shoot bolts when the handle is lifted. This adds extra security and generates optimum seal compression, especially for large panel doors.

The Unity Slim Smart Lock has a built-in keypad for convenient key-free access at all times, and it is controllable by the Yale Home App. The Yale Home App allows you to lock and unlock your door, grant access to others, and keep track of visitor access, all via your smartphone. You can grant users one-time access or access for a set time or a date range, avoiding any lost keys or having your keys stolen or copied. The auto-unlock feature unlocks your door as you approach, using varying technologies, including Bluetooth, Wi-Fi, and GPS, as well as the Yale Home App.

With Lift-to-Lock single action locking, the Unity Slim Smart Lock also cleverly incorporates smart locking as part of the Lift-to-Lock system. Not only does this mean that users can seal and multi-point lock in a single action, but for users not familiar with Lift to Lock, the system is a surefire way to ensure the lock is being used to its maximum security and sealing potential.

The door position sensor checks the status of the door and tells you if your door is securely closed and locked. This avoids inadvertently locking your door whilst the door is open. The Unity Slim Smart Lock can be upgraded with the Yale Connect Plus Hub 2. The Yale Connect Plus Hub 2 lets you access your lock remotely** from wherever you are, allowing you to lock and unlock, change PIN codes, and see who has come and gone. The Yale Unity Slim Smart Lock comes with built-in Yale module, allowing your lock to work with the Yale Home app and Apple HomeKit straight out of box.

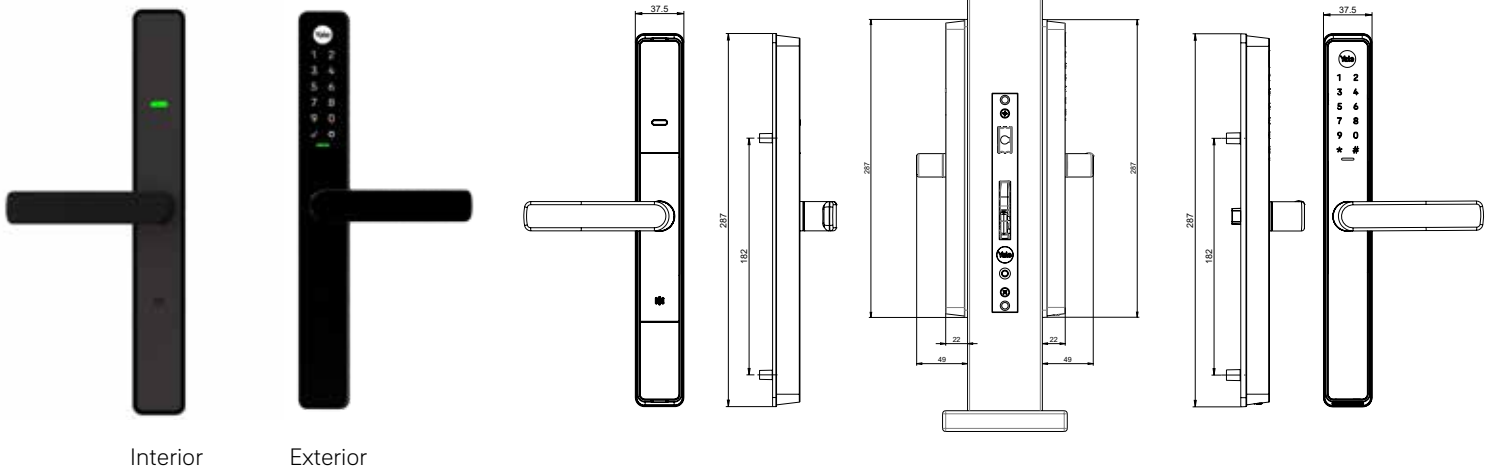
Works with your Smart Home

The Yale Connect Plus Hub 2 enables the 'Works with' ability, integrating into your Google Home, or Amazon Alexa.

* This product is only suitable for residential applications

** Yale Connect Plus Hub 2 is required and sold separately.

Unity Slim Smart Lock



Interior

Exterior

Features & Specifications:

- Multipoint Locking - Lift to Lock
- Total Control via Yale Home App
- Auto Lock/Unlock
- Fake PIN code to prevent the code from being exposed
- Remote locking/unlocking
- Tailor user access
- Smart Lock alerts
- 24/7 Lock Activity Trails
- 100% Key free
- DoorSense™ technology for Door position
- Emergency Power Supply
- UV Tested
- Smart Home Automation
- 6-digit keypad entry
- Durable mechanism and stainless-steel faceplate
- Available in different backsets with short and long throw options

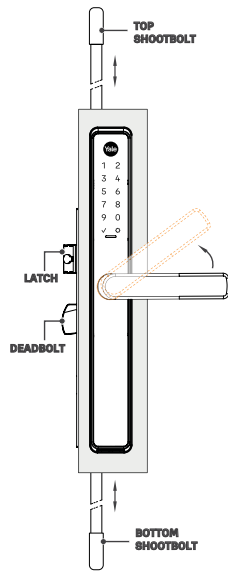
Finishes

Matt Black

Technical Specifications

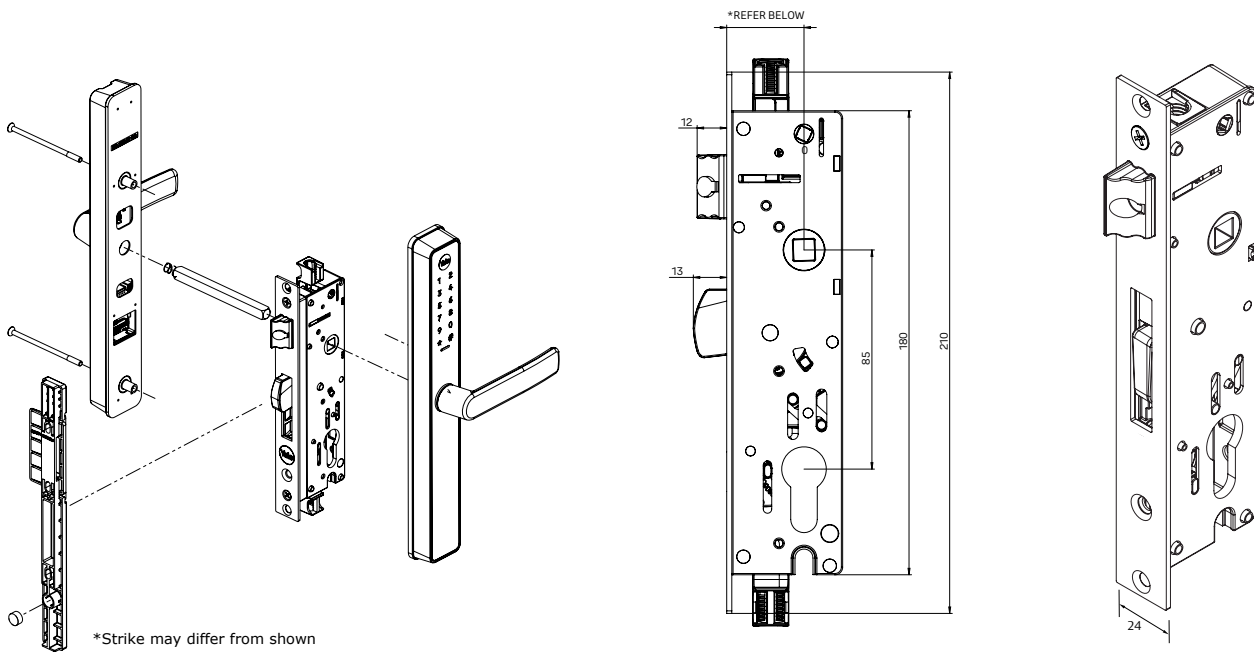
Australian Standard	AS4145.2.2008 SL7 Security D7 Durability
Compliance	Regulatory Compliance Mark (RCM) for Australia and New Zealand
Locking Type	Multi-point locking with Digital furniture
Door Thickness	35-60mm
Mechanical Keys	No
Backset	30mm, 40mm and 50mm
Door Type	Aluminium or Timber
Handing	Suits left or right-hand opening doors
Finish	Matt Black powder coat
IP Rating	IP55
Operating Temperature	-15° - 55°C
Humidity	0-90%
Power	4 x AA Alkaline batteries (Included)
Battery Life on lock	Approximately 12 months
Low Battery Warning	20%
Volume Settings	Mute, Low, High
Use	Hinged Doors application for residential use.

Unity Slim Smart Lock



Trade Packs

Description	Part Number
UNITY HD USSL INDURO 30BS 4P S SS STRIKE	YURSSL0430400B
UNITY HD USSL INDURO 30BS 4P L SS STRIKE	YURSSL0431400B
UNITY HD USSL INDURO 40BS 4P S SS STRIKE	YURSSL0440400B
UNITY HD USSL INDURO 50BS 4P S SS STRIKE	YURSSL0450400B
UNITY HD USSL INDURO 50BS 4P L SS STRIKE	YURSSL0451400B



ByYou Pro



The Yale ByYou Pro is designed to make everyday access effortless—whether you’re coming home with full hands, letting in family, or heading out in a hurry.

With Grab-and-Go unlocking, the fingerprint sensor is built directly into the handle, allowing you to unlock the door in one seamless motion. Simply grasp, touch, and go.

Security should look as good as it feels. ByYou Pro comes with three interchangeable lever covers, so you can match your lock to your space straight out of the box.

Security, your way. Unlock with a fingerprint, PIN code, RFID card, or the Yale Home App for seamless, secure access.

For the ultimate convenience, ByYou Pro supports Apple Home Key, so you can tap your iPhone or Apple Watch to unlock—no keys, no codes, no hassle.

With Yale Home you can:

- Lock and unlock your door via your mobile device
- Grant access to others for one time access
- Grant access for a set period of time or a date range
- Keep track of visitor access
- Check the door status from your mobile device
- The Yale Connect Plus Hub 2 is required to enable the Works with Amazon Alexa and Google Home functionality, allowing you to control your lock with voice commands. Upgrade your ByYou lock with the Yale Connect Plus Hub 2 (Item code: YAR/SWAA/HUB/-I-D, sold separately) to access your lock remotely, enjoy the full benefits through the Yale Home App, and seamlessly integrate voice commands with Alexa, Siri and Google Assistant.

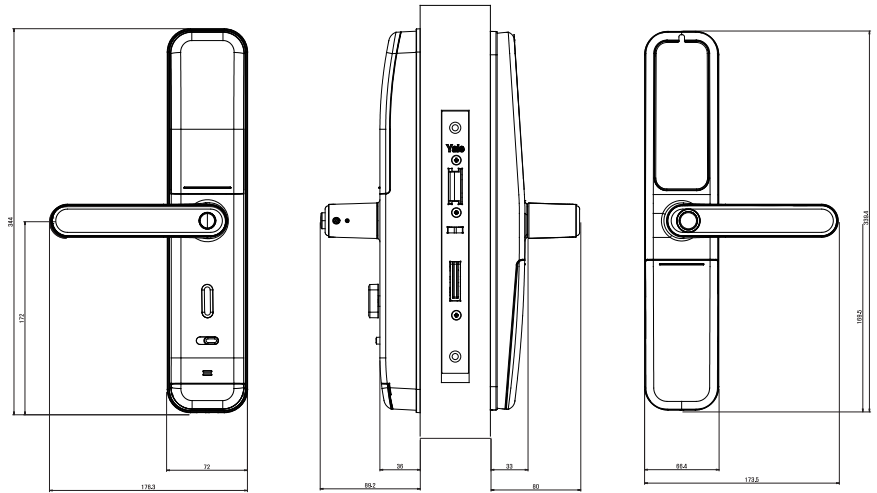


ByYou Pro



Interior

Exterior



Features & Specifications

- Create up to 100 Unique PIN codes
- Create up to 100 fingerprints
- Control through one APP
- Suitable for doors 40mm to 80mm thick
- Mechanical key override
- 60mm backset mortice lock
- 4 x AA Alkaline Batteries
- Available in matt black body finish with interchangeable three lever finish options
- Home automation integration capabilities with Yale Connect Plus Hub 2*

Lever Finishes



*Yale Connect Plus Hub 2 is required and sold separately.

Description	Part Number
Yale ByYou Pro 60mm backset smart mortice lock	YBYM/60/HK
Yale Connect Plus Hub 2	YAR/SWAA/HUB/-I-D
Blank Yale Spare Key	SYDMKEYSB
Yale ByYou/YDM Series Mortice lock body 60mm Backset	YDM7220-M60G
Yale Contactless Key Tag	YDKEYTAG
Yale ByYou/YDM Series Rebate Kit	SYDMRK01
Yale ByYou/YDM Series Aluminum Door Striker Kit	SYDMSK01

Technical Specifications	
Compliance	Regulatory Compliance Mark (RCM & R-NZ) for Australia and New Zealand
Lock Type	Mortice lock
Door Thickness	40-80mm
Backset	60mm
Finish	Matt black body finish with interchangeable three lever finish options
RFID	4 x Contactless Key Tags Included
Fingerprint	Yes, up to 100 registrations
NFC	Apple Wallet
Power	4 x AA Alkaline batteries
Battery Life on lock	Approximately 12 months
Low Battery Warning	Yes
Volume Settings	Yes
Operating Temperature	-25-70°C
Humidity	0-95%
IP Rating	IPX4
Use	Entry doors. Not for use on doors where the internal escutcheon is exposed to outside elements. Eg: Outdoor gate
Break in/ tamper alarm	Yes

Assure Lever



Upgrade your existing lever or knob with the Assure Lever, a smart lever lock with a sleek keypad for key-free entry. Never worry about carrying or losing your house keys again! Create unique entry codes for friends and family and remove codes whenever you need to. It's great for side entry doors, garage entry, basement doors, home offices - super easy to use and installs in minutes with just a screwdriver on doors with a single hole (no deadbolt).

The Yale Assure Lever comes with the C4 Keyway, enabling customers to customise this lock keyed-alike.

Works with your Smart Home

The Assure Lever comes with a Yale Home module, allowing you to lock/unlock, share access, and see who comes and goes, all using your Yale Home App and Apple HomeKit at your door! For ultimate convenience, your Assure Lever will unlock automatically as you approach the door and relock once the door is closed! Plus, you can upgrade with the Yale Connect Plus Hub 2 (sold separately) to access your lock remotely and enjoy voice assistant capability. Easily integrate it into your Google, Siri, Samsung, or Alexa-enabled smart home devices. The Assure Lever is also compatible with other Yale Modules (Z-Wave Plus and ZigBee*) to integrate into most home automation systems, allowing you to control and monitor the lock from anywhere in the world.

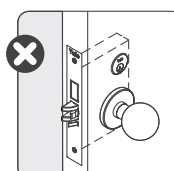
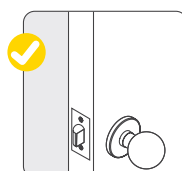
*Z-wave and Zigbee Modules are sold separately

Features & Specifications

- Yale Home Module included
- Total Control via Yale Home App
- Auto Unlock
- Tailor user access
- Lock alert
- 24/7 Lock Activity Trails
- Door position sensor
- Home automation integration capabilities with Yale Network Module
- C4 Keyway, convenient for keyed-alike
- Simple installation
- Mechanical key override
- Suitable for standard 54mm timber bore hole
- Fits standard doors 35mm- 45mm thick
- Adjustable 60-70mm backset deadlatch
- Available in Matt Black and Satin Chrome finishes



Door Compatibility

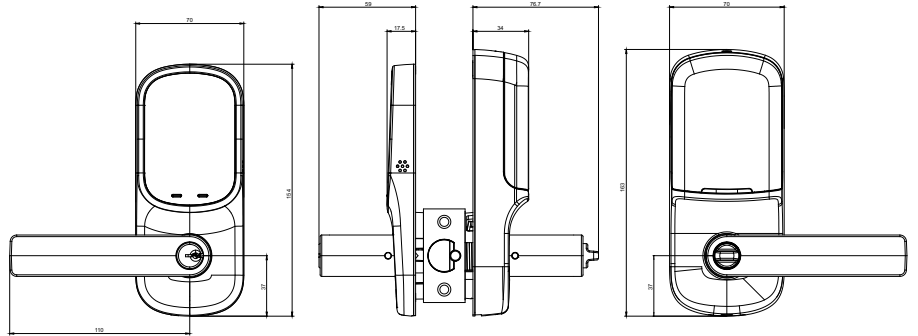


Assure Lever



Exterior

Interior

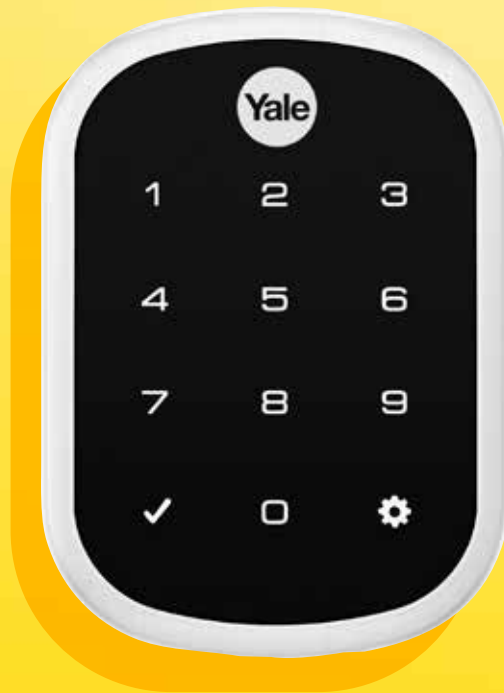


Exterior

Interior

Description	Part Number
Yale Assure Keyed Lever Matt Black	YRL226HKMBK
Yale Assure Keyed Lever Satin Chrome	YRL226HKSC

Assure Lock® SL



Tired of fumbling around for your keys? Imagine a lock that automatically unlocks as you approach. With the Yale Assure Lock SL, seamless entry is your key.

Adding the Yale Connect Plus Hub 2* to your Assure Lock® SL allows you to access your lock remotely. Lock and unlock, change PIN codes and lock settings remotely. The Connect Plus Hub 2* allows you to work with Amazon Alexa, Hey Google and more.

Works with your Smart Home

The Assure Lock SL can be upgraded with a Yale Module (Z-Wave Plus and ZigBee**) to integrate into most home automation systems so that you can control and monitor the lock from anywhere in the world.

*Yale Connect Plus Hub 2 sold separately
**Modules are sold separately

Features & Specifications

- Yale Home Module included
- Total Control via Yale Home App
- Auto unlock/lock
- Tailor user access
- 24/7 Lock activity trails
- Door Position Sensor
- 100% Keyfree
- Suitable for standard 54mm timber bore hole
- Adjustable 60-70mm backset deadbolt
- 4 x AA Alkaline Batteries
- 9V battery backup
- Home automation integration capabilities with Yale Network Module
- Available in Satin Chrome and Matt Black finishes
- Fits on standard timber door 35mm to 57mm thick



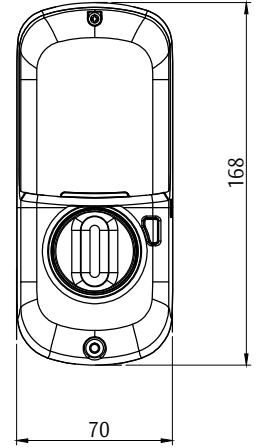
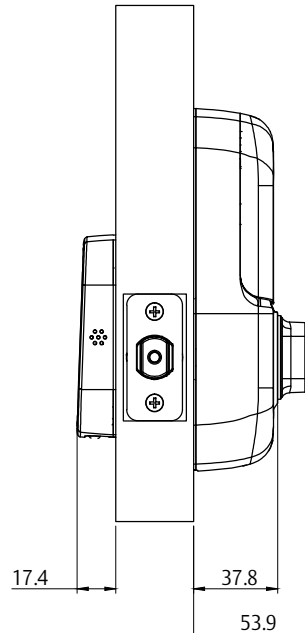
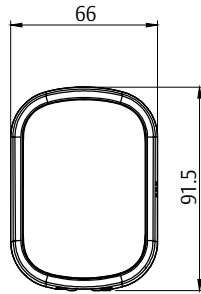
Assure Lock[®] SL



Exterior



Interior



Exterior



Interior

Description	Part Number
Yale Assure Lock SL Satin Chrome	YRD256HKSC
Yale Assure Lock SL Matt Black	YRD256HKMBK

Assure Lock® Keyed



Tired of fumbling around for your keys? Imagine a lock that automatically unlocks as you approach. With the Yale Assure Lock Keyed, seamless entry is your key.

Adding the Yale Connect Plus Hub 2* to your Assure Lock® Keyed allows you to access your lock remotely. Lock and unlock, change PIN codes and lock settings remotely. The Connect Plus Hub 2* allows you to work with Amazon Alexa, Hey Google and more.

The Yale Assure Lock digital deadbolt can be upgraded with a Yale module (Z-Wave Plus** and ZigBee**) to seamlessly integrate into most home automation and alarm systems.

*Yale Connect Plus Hub 2 sold separately

**Modules are sold separately

Features & Specifications

- Yale Home Module included
- Total Control via Yale Home App
- Auto unlock/lock
- Tailor user access
- 24/7 Lock activity trails
- Door Position Sensor
- 100% Keyfree
- Mechanical key override
- Suitable for standard 54mm timber bore hole
- Adjustable 60-70mm backset deadbolt
- 4 x AA Alkaline Batteries
- Home automation integration capabilities with 'Yale Network Module'
- Available in Satin Chrome and Matt Black finishes
- Fits on standard timber door 35mm to 57mm thick



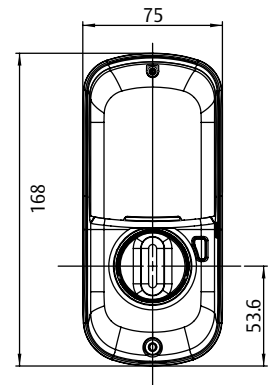
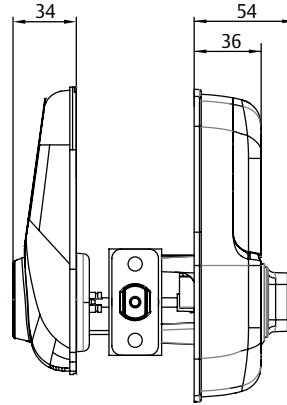
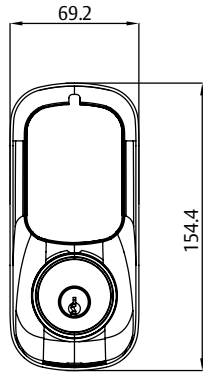
Assure Lock® Keyed



Exterior



Interior



Exterior



Interior

Description	Part Number
Yale Assure keyed electronic digital deadbolt satin chrome	YRD226HKSC
Yale Assure keyed electronic digital deadbolt Matt Black	YRD226HKMBK

Yale Home Module



The Yale Home module allows users with an Assure Series lock to utilise the functions and features of the Yale Home App.

In four simple steps, you can access the features within minutes:

Step 1: Install the Yale Home Module into the back of an Assure Lock

Step 2: Install the door sense to your door jam

Step 3: Download the Yale Home App.

Step 4: Upgrade with Yale Connect Plus Hub 2* for remote access (optional)

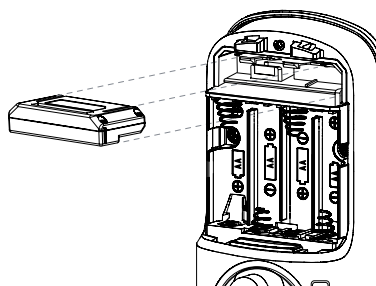
The Yale Home module enables features such as 24/7 lock activity, auto unlock, and autolock. It is also compatible for use with the Yale Connect Plus Hub 2* to gain the ability of remote access. Yale's door position sensor checks the status of the door and tells you if your door is securely closed and locked. This avoids inadvertently locking your door whilst the door is open.

Suitable for Assure series locks, this is a quick and simple solution to the first of your smart home devices or to add to an existing solution.

*Yale Connect Plus Hub 2 is sold separately

Features and Specifications

- Total control via the App
- Remote access
- Auto unlock/lock
- Door position sensor
- Tailor user access
- 24/7 Lock Activity trails



Supported on the Yale Assure Lock Series.

Yale Home Module



Description	Part Number
-------------	-------------

Yale Home Module	YD-MD01
------------------	---------

*Compatible with Yale Assure series

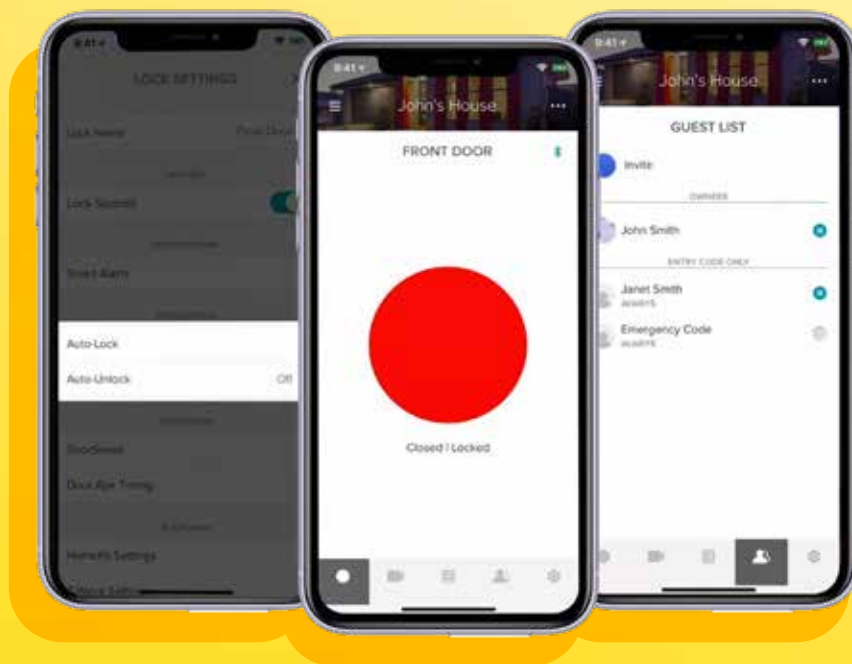
Technical Specifications	
--------------------------	--

Compliance	Regulatory Compliance Mark (RCM) for Australia and New Zealand
Communication	Bluetooth V4.2
Operating Temperature	0-40°C
Operating Humidity	10-85%
Finish	Matt white

Yale Home App



Yale Home



Yale Home is Yale's global digital locking solution for the residential market. Yale smart locks can be controlled through the use of the Yale Home App, giving you total control over your lock. Lock and unlock your door, grant access to others and keep track of visitor access all via your mobile device.

With 24/7 lock activity, you can see who accessed your lock and when. Using Bluetooth, Wi-Fi, GPS and the Yale Home App, the auto unlock function unlocks your door as you approach.

Yale's Door Position Sensor checks the status of the door and tells you if your door is securely closed and locked. This avoids inadvertently locking your door while the door is open.

With a Yale lock connected to the Yale Connect Plus Hub 2* you can lock and unlock your door remotely and change PIN codes and lock settings remotely. By integrating the bridge into your home automation system, you can turn your lights on when your door unlocks or even play your favourite music.

The Yale Connect Plus Hub 2 also enables voice assistant and can integrate into your Google, Samsung or Alexa smart home devices.

When connecting the Yale Smart Keypad* to your lock, you

can lock and unlock your door via the keypad. Connected via Bluetooth to the lock, you can create unique entry codes to unlock your lock without a traditional key or phone. The keypad is easy to mount outside your door, without the need to hard-wire.

The Yale Home App is a seamless and simple method of controlling and monitoring your lock for peace of mind and security.

*Products Sold Separately

Features and Specifications

- Total control via the App
- Remote access
- Auto unlock/lock
- Door position monitoring
- Voice assistant compatible
- Tailor user access
- 24/7 Lock Activity trails

Feature comparison



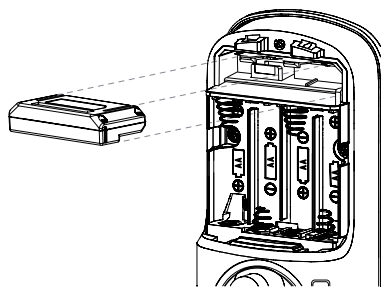
	Unity Entrance	Unity Screen Door	Assure SL	Assure Keyed / Assure Lever	ByYou	Unity Slim	Luna Pro+	Kyra Pro
Digital Deadlocking	✓	✓						
Keycodes	with Yale Smart Keypad*		✓	✓	✓	✓	✓	✓
Key Override				✓	✓		✓	✓
Fingerprint					✓		✓	✓
Face ID							✓	
Auto-lock / Auto-unlock	with Yale Home App		✓	✓	✓	✓	✓	✓
Emergency Power	USB-C		9V battery				USB-C	
Apple Home Key					✓			
With Yale Home App (register bluetooth)								
	Audit trails		Total Control via App			Works with Apple HomeKit		
With Connect Plus Hub 2*								
	Remote access		Works with Google Assistant		Works with Amazon Alexa		Works with Samsung SmartThings	

*Products Sold Separately

Network Modules



The Yale ZigBee, Z-Wave Network Modules seamlessly integrate into most home automation and alarm systems.



Yale ZigBee & Z-Wave Network Module Features

- Unlock your home with your smartphone.*
- Remote Access Control: with the Yale ZigBee or Z-Wave Network Module you can control your Assure Lock from anywhere via your Home Automation Hub.*

*Requires compatible ZigBee or Z-Wave Home Automation Hub (sold separately). Features may vary based on Hub software.

Description	Part Number
Yale ZigBee Network Module	YRD-ZBM-1
Yale Z-Wave Network Module	YRD-ZWM-1

Supported on the Yale Assure Lock Series.



Yale Series Accessories



Designed to support up to 16 Yale Home Bluetooth smart devices and 30 Zigbee Yale Smart Aeron Window Actuators, the Yale Connect Plus Hub 2 keeps your devices connected and power points free.*

The Connect Plus Hub 2 allows you to access and manage your Yale smart home devices remotely.

The Connect Plus Hub 2 works with your smart home and can easily be integrated into your home automation system. This gives you the option of turning on your lights when your door unlocks or even playing your favourite song when you walk through the door.

The Yale Connect Plus Hub 2 is compatible with voice assistants - easily integrate it into your Google, Samsung or Alexa enabled smart home devices.

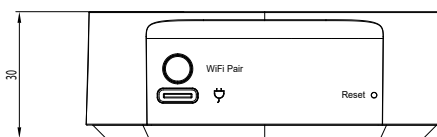
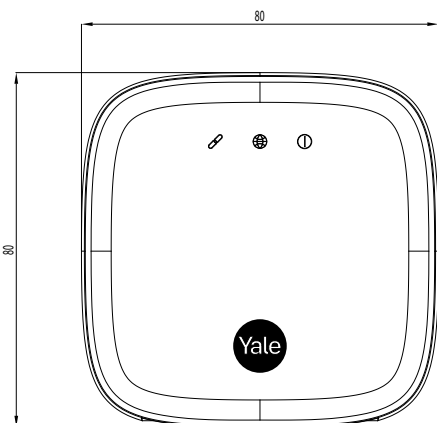


Features and Specifications

- Grow your Yale Home Automation: Supports up to 16 Bluetooth and 30 Zigbee Yale smart home devices
- Expand the capabilities of your Yale Home by enabling new features including DualDoor™ Technology**
- Seamlessly manage your Yale smart devices from anywhere using the Yale Home App
- Enables smart home connectivity with Google Home, Amazon Alexa, Samsung SmartThings
- Simple app-driven set-up process

*Home size, layout and building material can impact performance. Medium and larger sized home may require additional devices for full coverage

** DualDoor™ Technology requires pairing the Unity Screen Door and your Yale Smart Lock with the Yale Connect Plus Hub 2.



Description	Part Number
Yale Connect Plus Hub 2	YAR/SWAA/HUB/I-D

NOTE: Compatible with Yale Home Enabled Smart Locks

Technical Specifications	
Compliance	Regulatory Compliance Mark (RCM) for Australia and New Zealand
Communication	Wi-Fi 2.4GHz, Zigbee & Bluetooth V4.2
Dimensions	80h x 79w x 28d mm
Power	5 VDC/1.0A power adaptor through USB-C port
Plug Type	I plug
Operating Temperature	0-60 deg (For Hub), 0-40 deg (For Power Adapter)
Operating Humidity	10-90% Non-condensing
Finish	Snow White

ASSA ABLOY Australia Head Office

ASSA ABLOY Australia Pty Limited
235 Huntingdale Road, Oakleigh
Victoria, 3166 Australia

1300 LOCK UP (1300 562 587)
customerservice.au@assaabloy.com
assaabloy.com/au/en

yalehome.com/au/en



Disclaimer

Whilst every effort has been made to ensure that the information (including product images and drawings) contained in this brochure is accurate at the time of publication, ASSA ABLOY Australia Pty Limited ("ASSA ABLOY") recommends that you consult ASSA ABLOY or its agents prior to placing an order to ascertain current information on specific products, as ASSA ABLOY reserves the right to make changes without notice. ASSA ABLOY will not be liable for any injury, loss or damage whatsoever, arising from any errors or omissions in the information contained in the brochure or arising from the use or application of the information contained herein. © 2024 copyright by ASSA ABLOY All rights reserved

ASSA ABLOY Australia Pty Limited ABN 90 086 451 907 © 2024_10 | MC14448